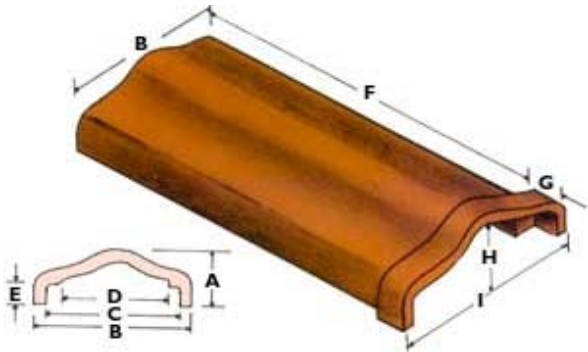


# Camelback Wall Coping



	9"	13"
A	3-3/4"	4-7/8"
B	11"	15"
C	9-1/8"	13-1/2"
D	7-1/2"	11"
E	1-1/4"	1-3/4"
F	24"	24"
G	1-3/4"	1-3/4"
H	4-1/2"	5-5/8"
I	12-7/8"	17-1/4"