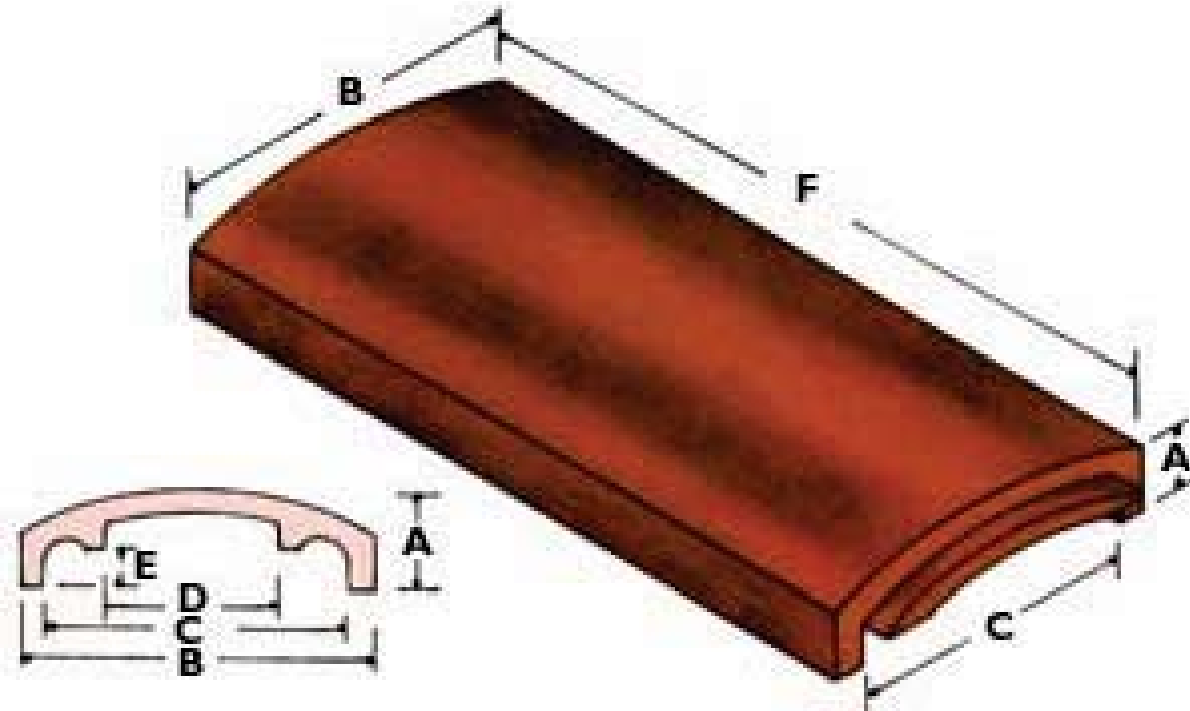


## Streamline Wall Coping



	9"	13"
<b>A</b>	3-3/8"	3-5/8"
<b>B</b>	11-1/2"	15-1/2"
<b>C</b>	9-1/2"	13"
<b>D</b>	5-3/4"	9-3/4"
<b>E</b>	1-1/8"	7/8"
<b>F</b>	24"	24"

back to [Clay Wall Coping](#)