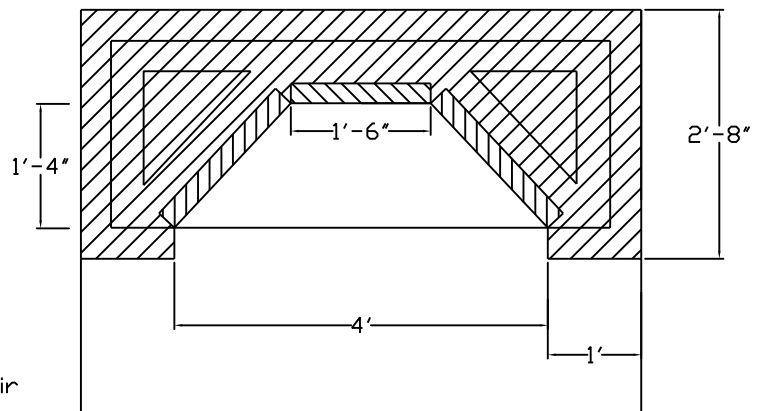


Section-Elevation

Elevation

BILL OF MATERIALS

- 1 48" Rumford Throat
- 1 16x20 Smoke Chamber
- 1 30" Flat Damper
- 16x20 Flues (As Needed)



Note: supply adequate make up air